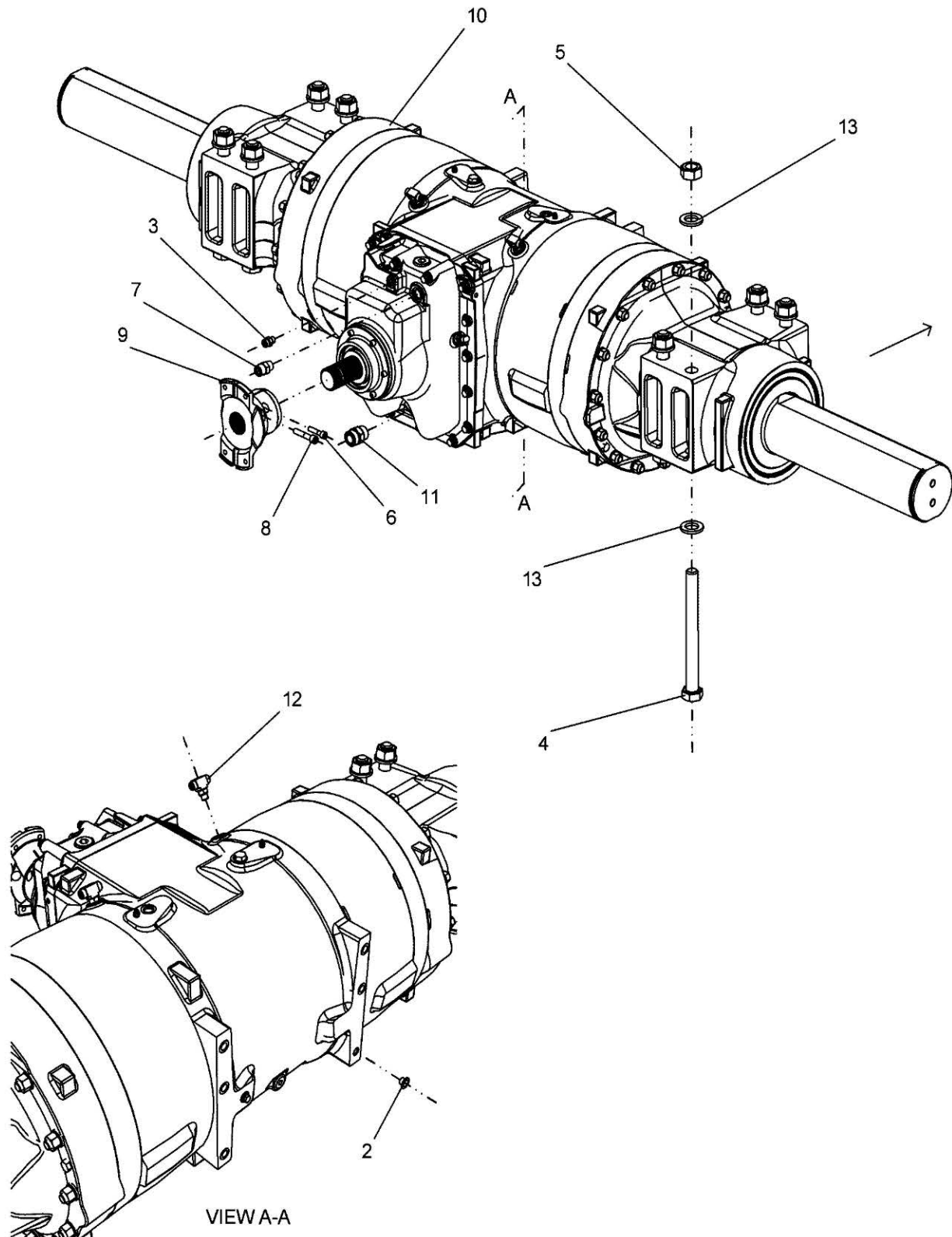


561615D1 - FRONT AXLE ASSEMBLY, HIGH CAPACITY DIFFERENTIAL	02-0001
559054D1 - FRONT AXLE ASSEMBLY, HIGH CAPACITY DIFFERENTIAL	02-0002
MACHINE SERIAL NUMBER BREAKS:	
SERIAL NUMBER BREAKS: C0945HDNRG1019 C0945ADNRG1020 C0945LDNRG1021 C0945EDNRG1023 C0945CDNRG1024	
SERIAL NUMBER BREAKS: C0955CDNSG1017 C0955ADNSF1016 C0955TDNSG1018 C0955CDNSG1020 C0955PDNSG1019	
SERIAL NUMBER BREAKS: C0965VDNTG1044 C0965LDNTG1046 C0965EDNTG1048 C0965HDNTG1050 C0965HDNTG1047	
SERIAL NUMBER BREAKS: C0975PDNUG1010 C0975JDNUG1012 C0975EDNUB1011 C0975CDNUG1013 C0975VDNUG1014	
HIGH CAPACITY DIFFERENTIAL:	
AXLE SERIAL NUMBER BREAK: PC-352-752	
561616D1 - REAR AXLE ASSEMBLY, HIGH CAPACITY DIFFERENTIAL	02-0003
559055D1 - REAR AXLE ASSEMBLY, HIGH CAPACITY DIFFERENTIAL	02-0004
MACHINE SERIAL NUMBER BREAKS:	
SERIAL NUMBER BREAKS: C0945HDNRG1019 C0945ADNRG1020 C0945LDNRG1021 C0945EDNRG1023 C0945CDNRG1024	
SERIAL NUMBER BREAKS: C0955CDNSG1017 C0955ADNSF1016 C0955TDNSG1018 C0955CDNSG1020 C0955PDNSG1019	
SERIAL NUMBER BREAKS: C0965VDNTG1044 C0965LDNTG1046 C0965EDNTG1048 C0965HDNTG1050 C0965HDNTG1047	
SERIAL NUMBER BREAKS: C0975PDNUG1010 C0975JDNUG1012 C0975EDNUB1011 C0975CDNUG1013 C0975VDNUG1014	
HIGH CAPACITY DIFFERENTIAL:	
AXLE SERIAL NUMBER BREAK: PC-352-752	
561617D1 - DIFFERENTIAL ASSEMBLY, FRONT, HIGH CAPACITY	02-0005
561617D1 - DIFFERENTIAL ASSEMBLY, FRONT, HIGH CAPACITY	02-0006
561618D1 - DIFFERENTIAL ASSEMBLY, REAR, HIGH CAPACITY	02-0007
561618D1 - DIFFERENTIAL ASSEMBLY, REAR, HIGH CAPACITY	02-0008
520529D1 - AXLE ASSEMBLY, FINAL DRIVE	02-0009
520529D1 - AXLE ASSEMBLY, FINAL DRIVE	02-0010
564280D1 - AXLE LUBE LINES GROUP	02-0011
564544D1 - AXLE LUBE FILTER ASSEMBLY	02-0012
520532D1 - HOUSING ASSEMBLY, DIFFERENTIAL	02-0013
520533D1 - PARKING BRAKE ASSEMBLY	02-0014
520534D1 - PARK BRAKE ASSEMBLY	02-0015
571118D1 - HYDRAULIC GROUP - DIFFERENTIAL LOCK	02-0016
574126D1 - PLUG INSTALLATION WITHOUT DIFFERENTIAL LOCK - PLUG GROUP	02-0017
577236D1 - PLUG GROUP - SPECIAL APPLICATION	02-0018
520114D1 - BLOCK ASSEMBLY, AXLE LUBE	02-0019

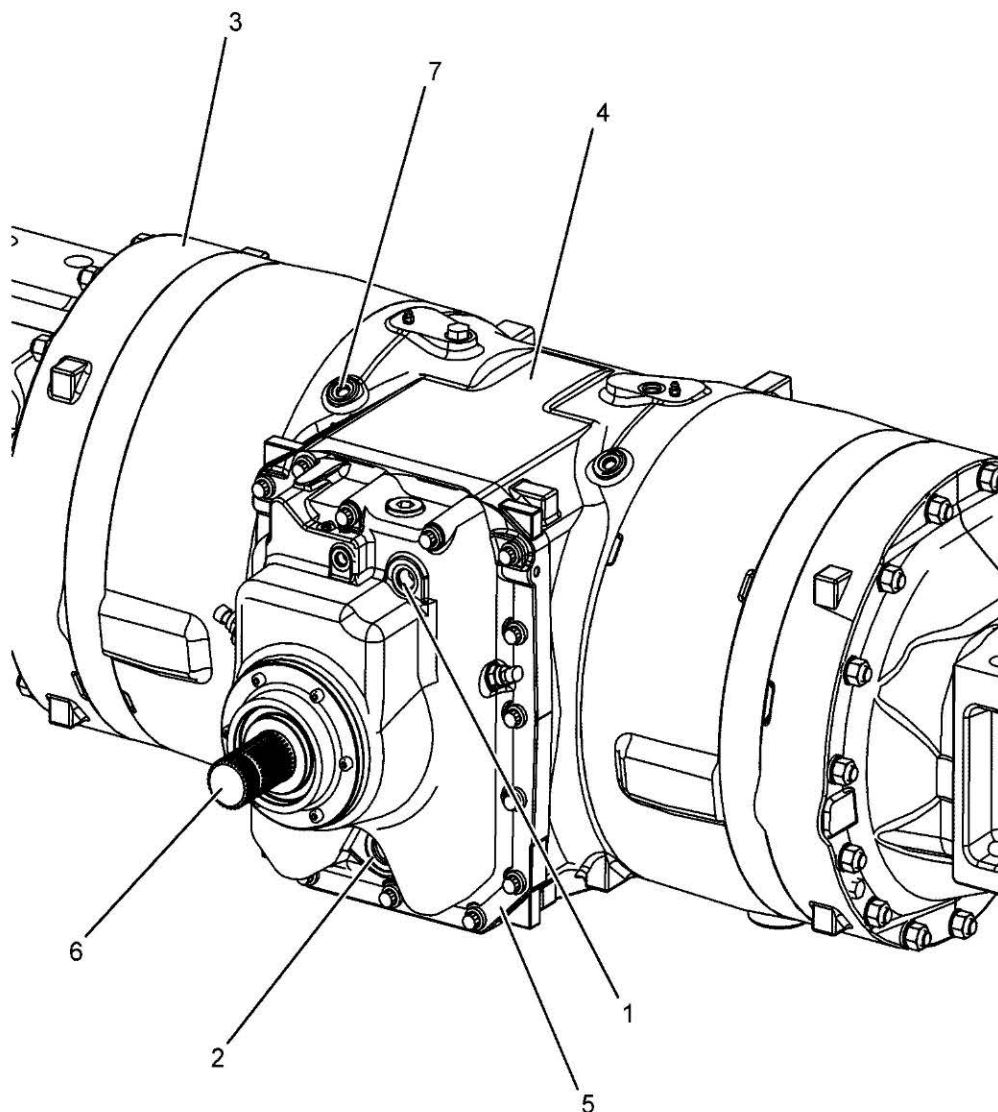
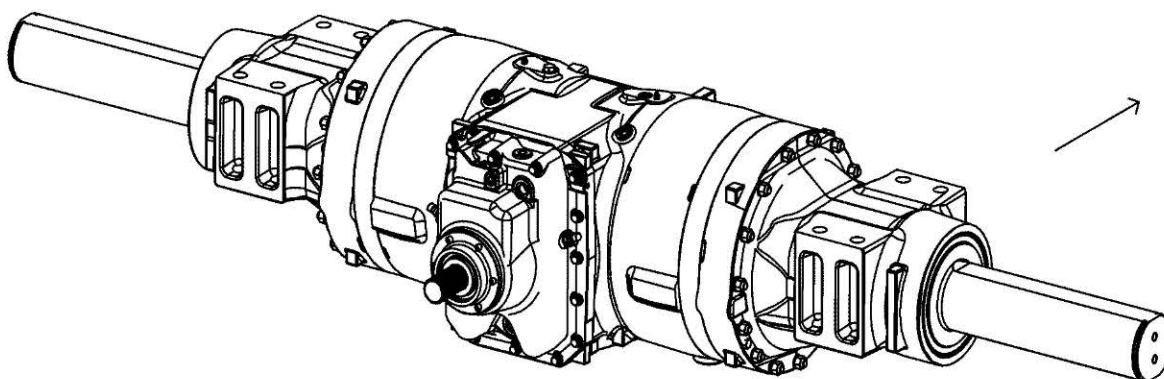
561615D1-1-Z654



561615D1 - FRONT AXLE ASSEMBLY, HIGH CAPACITY DIFFERENTIAL

ITEM	PART NUMBER	QTY	DESCRIPTION COMMENTS	TECHNICAL SPECIFICATION
	AG516362	X	ADHESIVE HIGH STRENGTH USE AS REQUIRED NOT SHOWN	250CC
2	400093X1	6	PLASTIC PLUG	M14
3	400367X1	1	CONNECTOR FITTING	-6 STOR X -6 ORFS
	400318X1	1	O-RING	11.89MM ID X 1.98MM
	400378X1	1	O-RING	12.83MM OD X 1.78MM
4	400985X1	8	HEXAGONAL HEAD BOLT	M30 X 3.5 X 310MM
5	400986X1	8	HEX NUT	M30 X 3.5MM
6	401252X1	2	BOLT	
7	401438X1	1	ADAPTER FITTING	10 STOR X -10 ORFS X 6MM
	400319X1	1	O-RING	19.18MM ID X 2.46MM
	400322X1	1	O-RING	19.28MM OD X 1.78MM
8	401564X1	1	BOLT	
9	519422D1	1	YOKE	
10	559054D1	1	AXLE SEE PAGE 02-0002	FRONT
11	CH148-8335	1	CONNECTOR	16 STOR X 16 ORFS
	400367X1	1	CONNECTOR FITTING	-6 STOR X -6 ORFS
	400123X1	1	O-RING	27.22MM OD X 1.78MM
12	CH148-8439	2	TEE FITTING	9/16"-18 X 2X 11/16"-16
	400378X1	2	O-RING	12.83MM OD X 1.78MM
	400318X1	1	O-RING	11.89MM ID X 1.98MM
13	CH7X-0593	16	HARDENED WASHER	34MM X 57MM X 6MM

559054D1-1-Z654

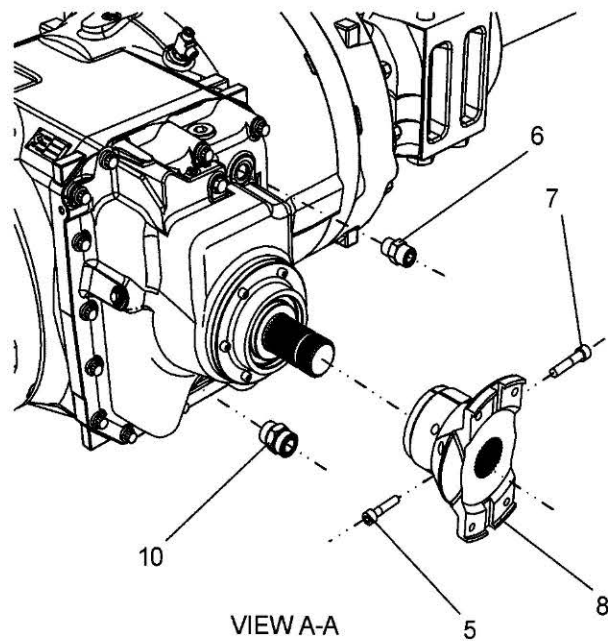
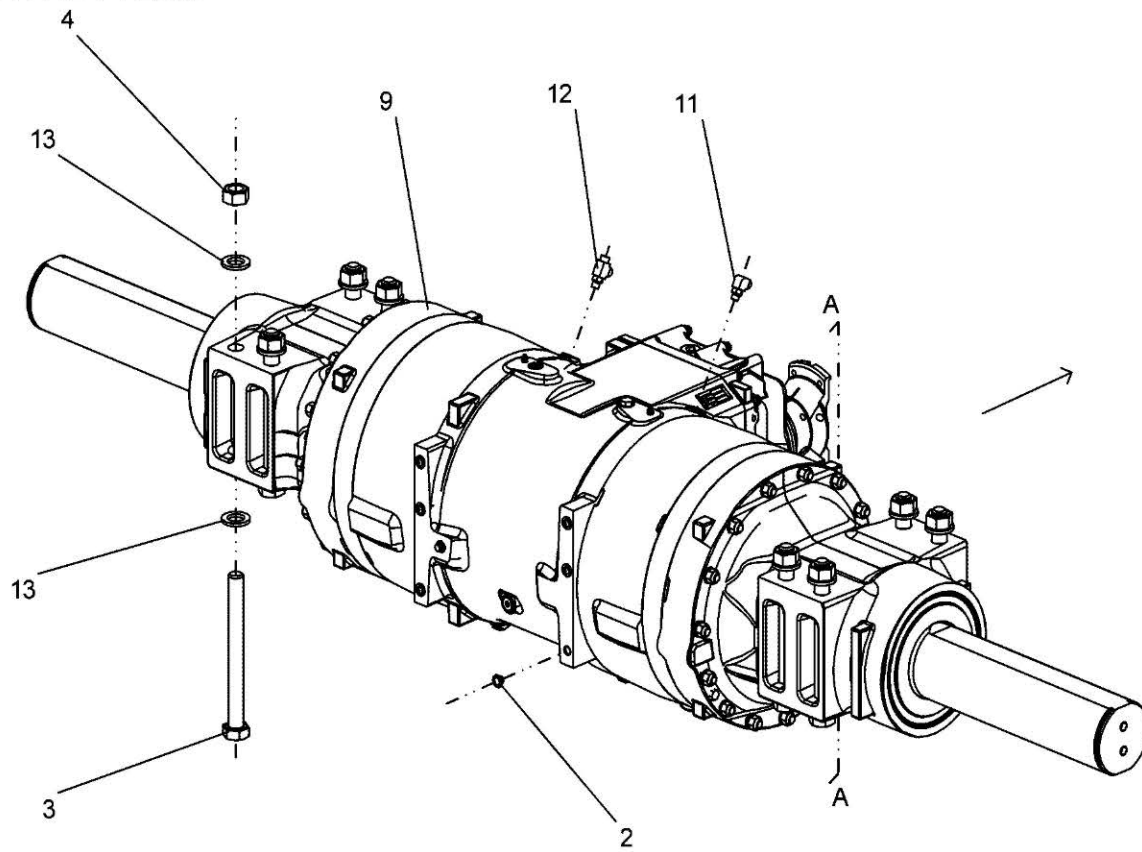


559054D1 - FRONT AXLE ASSEMBLY, HIGH CAPACITY DIFFERENTIAL

ITEM	PART NUMBER	QTY	DESCRIPTION COMMENTS	TECHNICAL SPECIFICATION
			MACHINE SERIAL NUMBER BREAKS: SERIAL NUMBER BREAKS: C0945HDNRG1019 C0945ADNRG1020 C0945LDNRG1021 C0945EDNRG1023 C0945CDNRG1024 SERIAL NUMBER BREAKS: C0955CDNSG1017 C0955ADNSF1016 C0955TDNSG1018 C0955CDNSG1020 C0955PDNSG1019 SERIAL NUMBER BREAKS: C0965VDNTG1044 C0965LDNTG1046 C0965EDNTG1048 C0965HDNTG1050 C0965HDNTG1047 SERIAL NUMBER BREAKS: C0975PDNUG1010 C0975JDNUG1012 C0975EDNUB1011 C0975CDNUG1013 C0975VDNUG1014 HIGH CAPACITY DIFFERENTIAL: AXLE SERIAL NUMBER BREAK: PC-352-752	
1	400369X1	1	SOCKET HEAD PLUG	-10 STOR
	400319X1	1	O-RING	19.18MM ID X 2.46MM
2	400370X1	1	HEX SOCKET HEAD PLUG	1-5/16"-12, -16 STOR
	400376X1	1	O-RING	29.74MM ID X 2.95MM
3	NS	1	NON-SERVICEABLE PART SEE PAGE 02-0009 SEE PAGE 02-0010	
4	NS	1	NON-SERVICEABLE PART SEE PAGE 02-0013	
5	NS	4	NON-SERVICEABLE PART SEE PAGE 02-0015	
6	NS	1	NON-SERVICEABLE PART SEE PAGE 02-0005 SEE PAGE 02-0006	
7	CH162-0177	3	PLUG	9/16"-18
	400318X1	1	O-RING	11.89MM ID X 1.98MM

561616D1 - REAR AXLE ASSEMBLY, HIGH CAPACITY DIFFERENTIAL

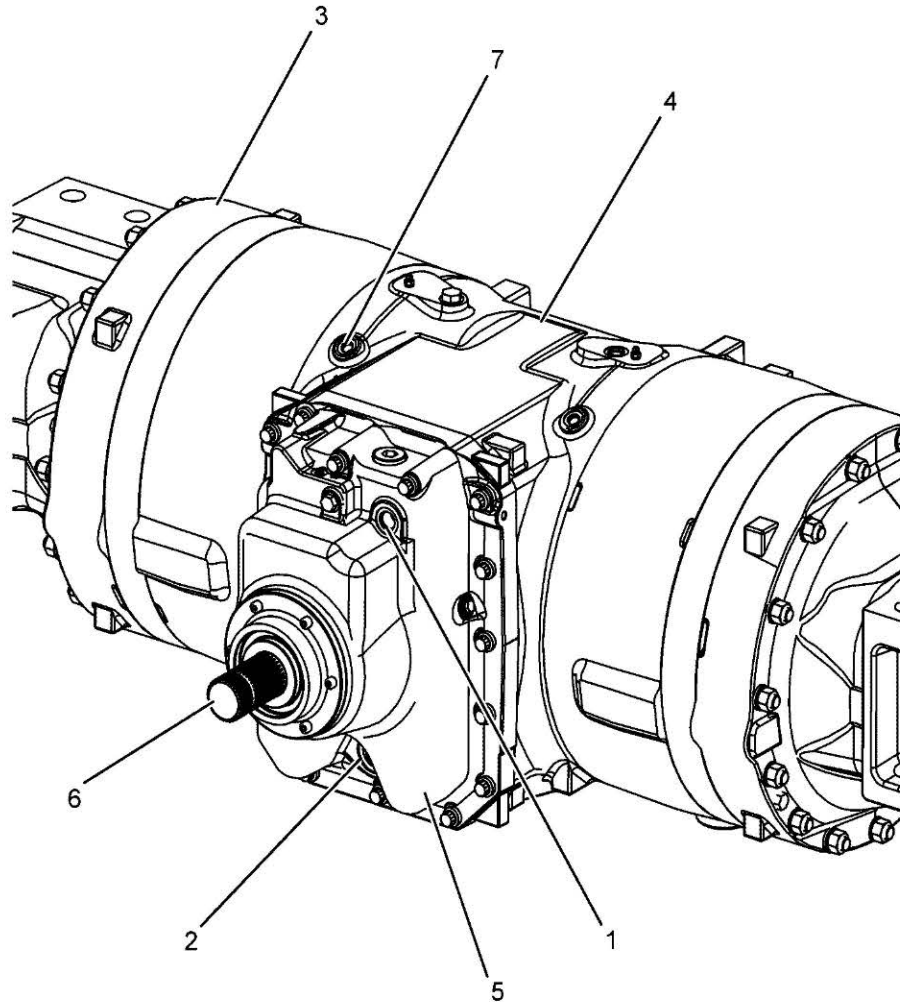
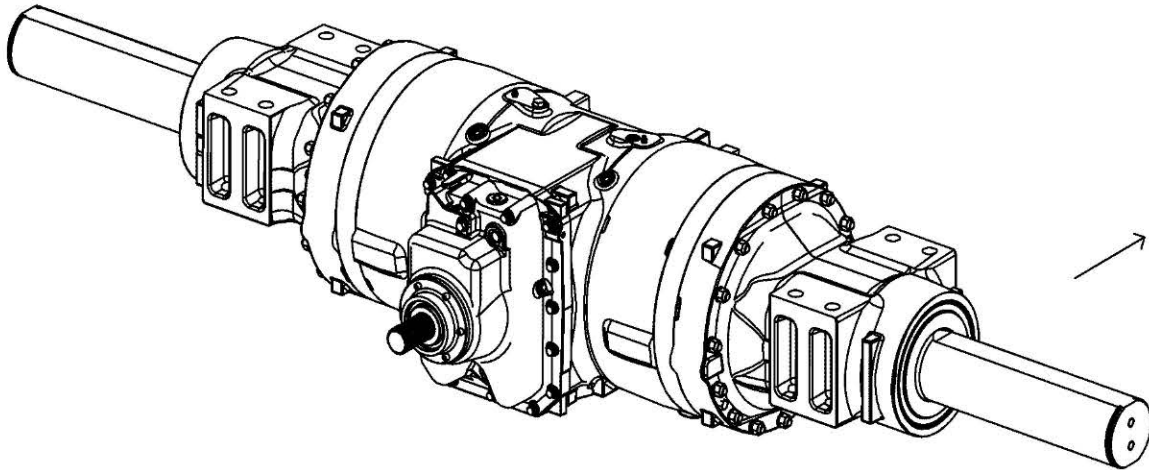
561616D1-1-Z654



561616D1 - REAR AXLE ASSEMBLY, HIGH CAPACITY DIFFERENTIAL

ITEM	PART NUMBER	QTY	DESCRIPTION COMMENTS	TECHNICAL SPECIFICATION
2	400093X1	6	PLASTIC PLUG	M14
3	400985X1	8	HEXAGONAL HEAD BOLT	M30 X 3.5 X 310MM
4	400986X1	8	HEX NUT	M30 X 3.5MM
5	401252X1	2	BOLT	
6	401438X1	1	ADAPTER FITTING	10 STOR X -10 ORFS X 6MM
	400319X1	1	O-RING	19.18MM ID X 2.46MM
	400322X1	1	O-RING	19.28MM OD X 1.78MM
	AG516362	X	ADHESIVE HIGH STRENGTH NOT SHOWN USE AS REQUIRED	250CC
7	401564X1	1	BOLT	
8	519422D1	1	YOKE	
9	559055D1	1	AXLE SEE PAGE 02-0004	REAR
10	CH148-8335	1	CONNECTOR O RING FACE SEAL	16 STOR X 16 ORFS
	400123X1	1	O-RING	27.22MM OD X 1.78MM
	400376X1	1	O-RING	29.74MM ID X 2.95MM
11	CH148-8378	1	ELBOW FITTING	9/16"-18 X 11/16"-16
	400318X1	1	O-RING	11.89MM ID X 1.98MM
	400378X1	1	O-RING	12.83MM OD X 1.78MM
12	CH148-8435	1	TEE FITTING	2X 11/16-16 X 9/16"-18
	400318X1	1	O-RING	11.89MM ID X 1.98MM
	400378X1	1	O-RING	12.83MM OD X 1.78MM
13	CH7X-0593	16	HARDENED WASHER	34MM X 57MM X 6MM

559055D1-1-Z654

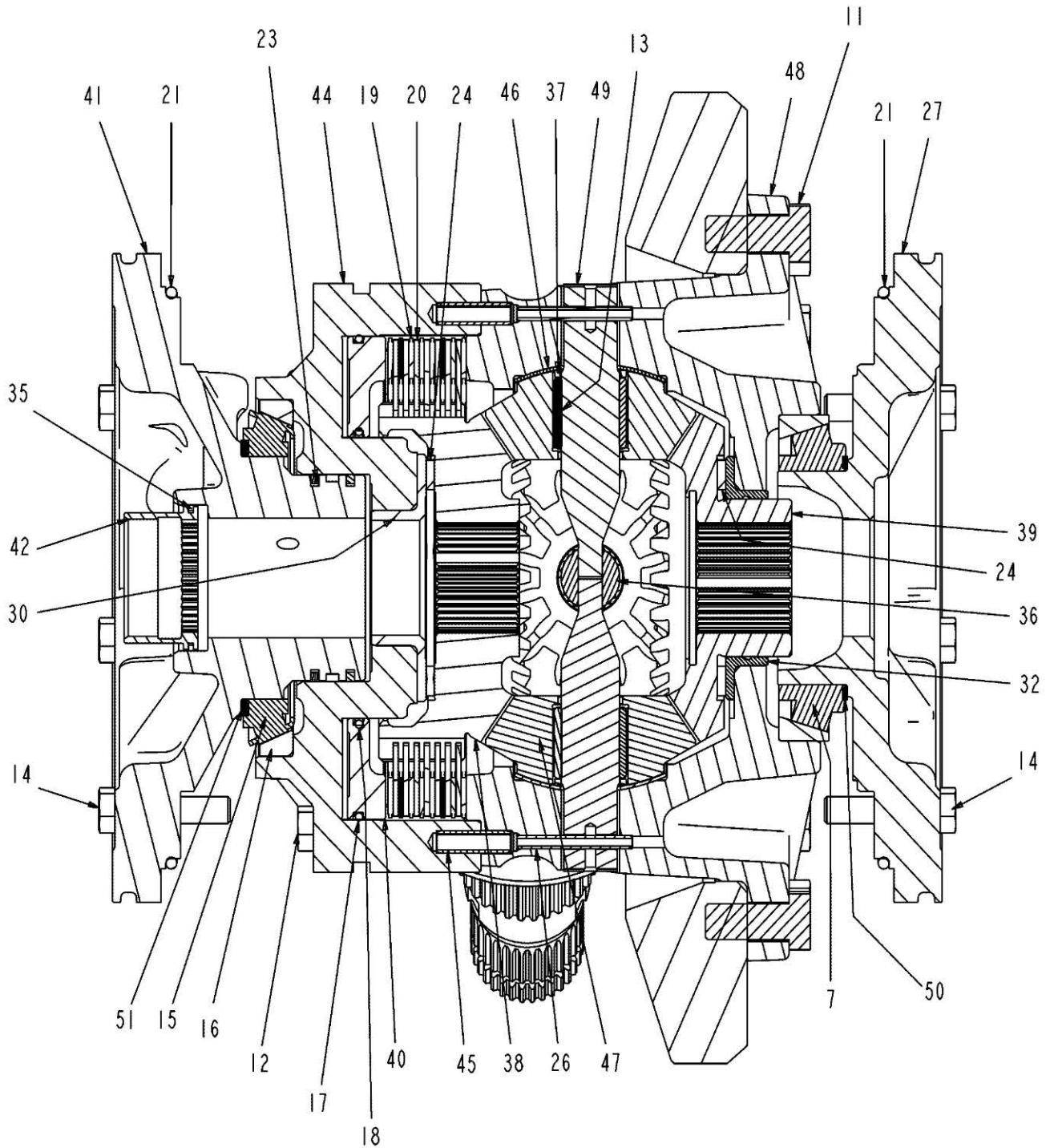


559055D1 - REAR AXLE ASSEMBLY, HIGH CAPACITY DIFFERENTIAL

ITEM	PART NUMBER	QTY	DESCRIPTION COMMENTS	TECHNICAL SPECIFICATION
			MACHINE SERIAL NUMBER BREAKS: SERIAL NUMBER BREAKS: C0945HDNRG1019 C0945ADNRG1020 C0945LDNRG1021 C0945EDNRG1023 C0945CDNRG1024 SERIAL NUMBER BREAKS: C0955CDNSG1017 C0955ADNSF1016 C0955TDNSG1018 C0955CDNSG1020 C0955PDNSG1019 SERIAL NUMBER BREAKS: C0965VDNTG1044 C0965LDNTG1046 C0965EDNTG1048 C0965HDNTG1050 C0965HDNTG1047 SERIAL NUMBER BREAKS: C0975PDNUG1010 C0975JDNUG1012 C0975EDNUB1011 C0975CDNUG1013 C0975VDNUG1014 HIGH CAPACITY DIFFERENTIAL: AXLE SERIAL NUMBER BREAK: PC-352-752	
1	400369X1	1	SOCKET HEAD PLUG	-10 STOR
	400319X1	1	O-RING	19.18MM ID X 2.46MM
2	400370X1	1	HEX SOCKET HEAD PLUG	1-5/16"-12, -16 STOR
	400375X1	1	SOCKET HEAD PLUG	1" STOR
3	NS	1	NON-SERVICEABLE PART SEE PAGE 02-0009 SEE PAGE 02-0010	
4	NS	1	NON-SERVICEABLE PART SEE PAGE 02-0013	
5	NS	3	NON-SERVICEABLE PART SEE PAGE 02-0014	
6	NS	1	NON-SERVICEABLE PART SEE PAGE 02-0007 SEE PAGE 02-0008	
7	CH162-0177	2	PLUG	9/16"-18
	400318X1	1	O-RING	11.89MM ID X 1.98MM

561617D1 - DIFFERENTIAL ASSEMBLY, FRONT, HIGH CAPACITY

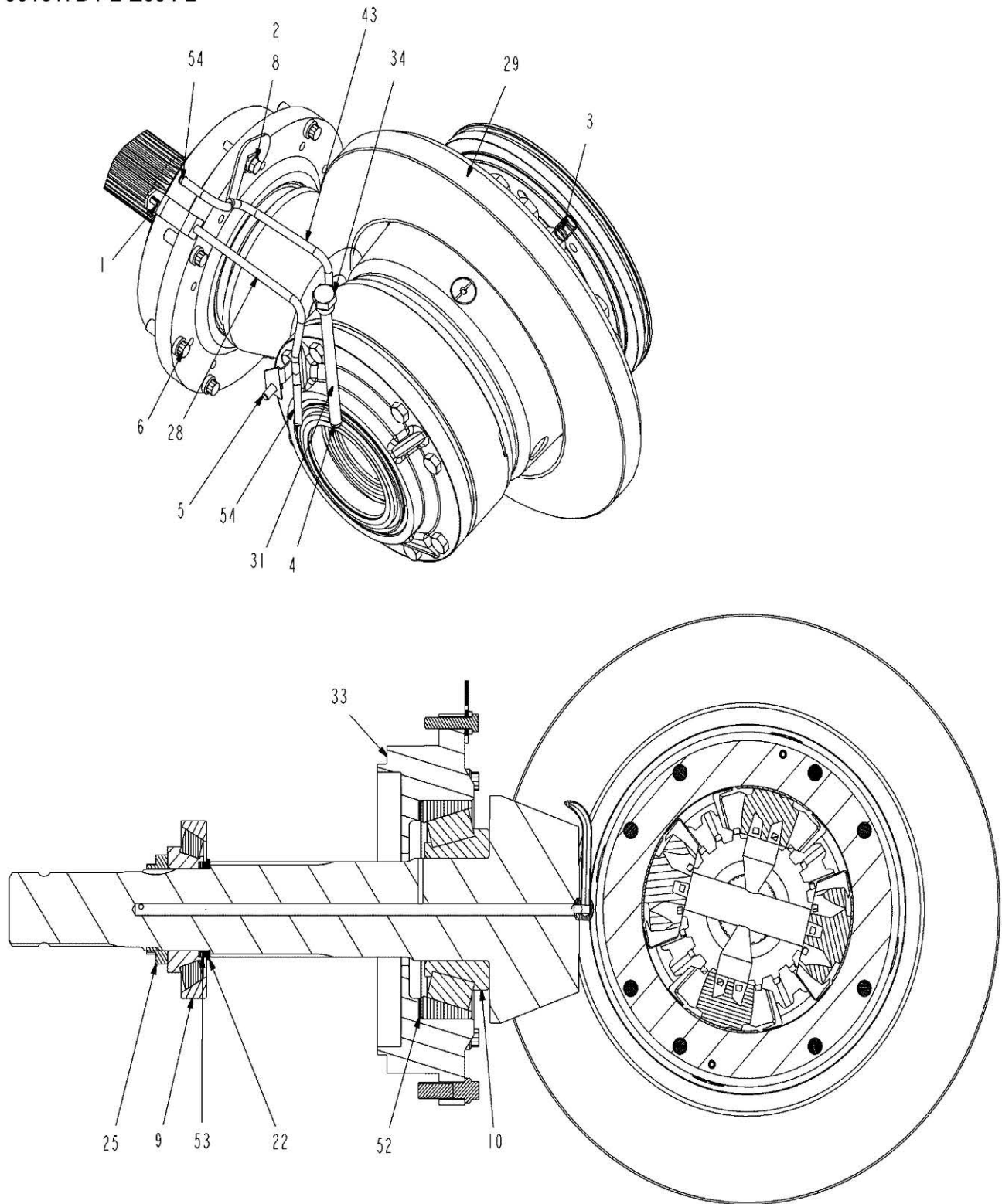
561617D1-2-Z654-1



561617D1 - DIFFERENTIAL ASSEMBLY, FRONT, HIGH CAPACITY

ITEM	PART NUMBER	QTY	DESCRIPTION COMMENTS	TECHNICAL SPECIFICATION
7	3010538X91	1	BEARING	95X145X32-STEEL-PL
11	3012025X1	18	HEXAGONAL HEAD BOLT	M16 X 40 CL10.9 PH
12	3012026X1	8	HEXAGONAL HEAD BOLT	M12 X 110 X 107 X 20-ISO 10.9
13	3014363X1	100	BEARING NEEDLE	4MM X 31.8MM, STEEL, PL
14	3019852X1	12	HEXAGONAL HEAD BOLT	M12 X 55 CL10.9 PH
15	3039248M1	1	BEARING CONE	107.950X21.438-STEEL-ZN
16	3039249M1	1	BEARING CUP	158.750X15.875-STEEL-ZN
17	359008X1	1	O-RING	Ø 209,14 X 3,53 MM
18	359112X1	1	O-RING	126.59X3.53-DIDC 70-PL
19	3616741M1	8	CLUTCH DISC	
20	3616742M1	7	COUNTERPLATE	
21	3716335M1	2	O-RING	Ø 246,00 X 5,33 MM
23	3716580M3	2	SEGMENT	
24	3792454M1	2	WASHER	78-108 X 4 MM
26	391464X1	2	SLOTTED PIN	Ø 6 X 55 MM PL
27	4301841M3	1	SUPPORT	
30	4302070M3	1	BUSH	
32	4302105M3	1	BUSH	
35	4306148M1	1	SEGMENT	
36	4307407M3	1	CLEVIS PIN	
37	4307413M1	4	SPACER	
38	4309049M1	1	PLANET	
39	4309050M1	1	PINION	
40	4310170M1	1	PISTON	
41	4310239M91	1	SUPPORT	
42	4310241M1	1	SLEEVE TOOTH	
44	4312820M91	1	DIFFERENTIAL HOUSING	
45	4312821M1	2	PIN	10X35
46	4312861M1	4	WASHER	
47	598262D1	4	PINION GEAR	DIFF PLANETARY
48	4312863M1	1	CASING	
49	4314078M1	2	SPIDER	
50	530814D1	1	SHIM KIT SEE PAGE 05-0013	PACK-BZ
51	530815D1	1	KIT, SHIMS SEE PAGE 05-0014	PACK-AM

561617D1-2-Z654-2

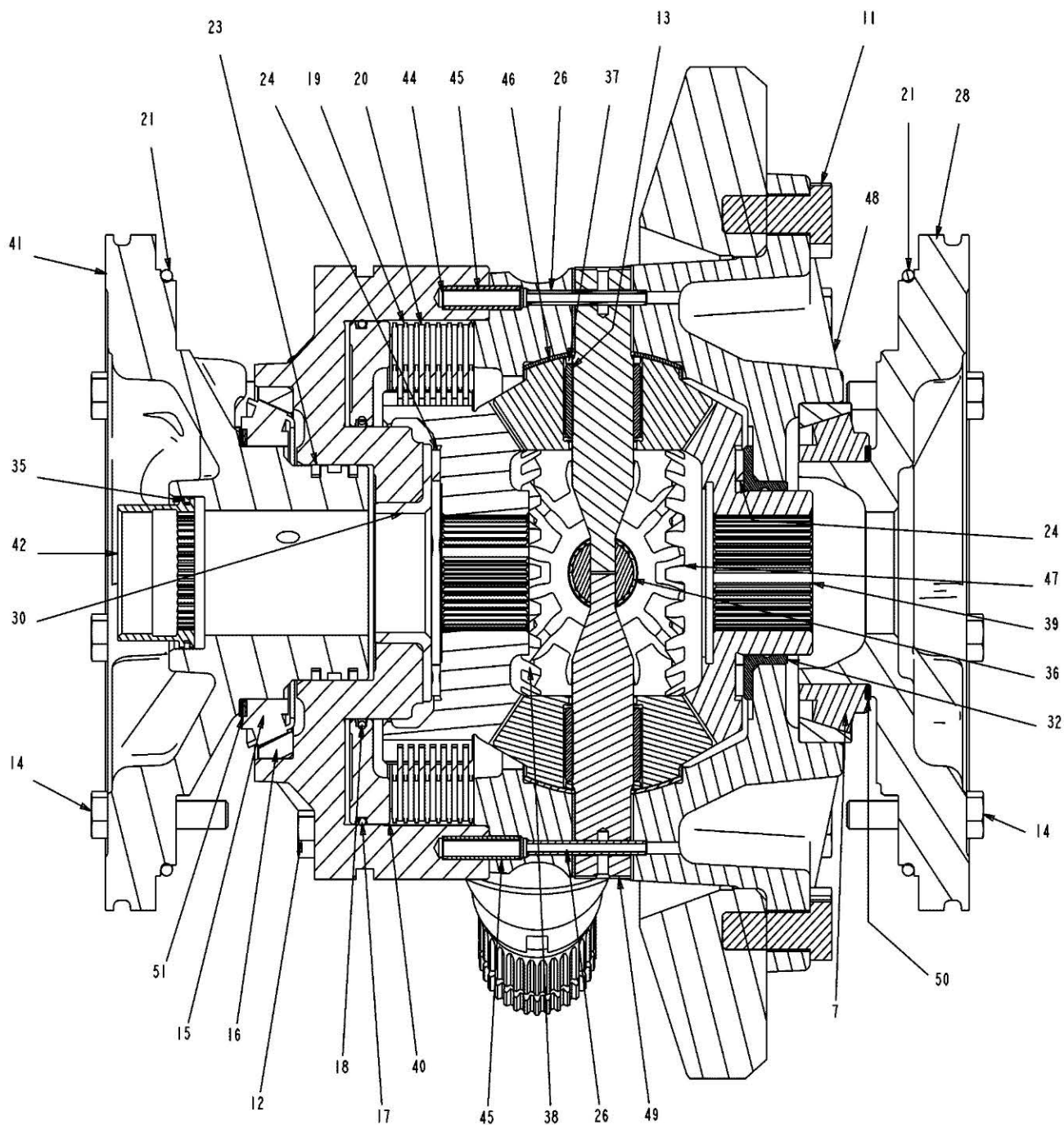


561617D1 - DIFFERENTIAL ASSEMBLY, FRONT, HIGH CAPACITY

ITEM	PART NUMBER	QTY	DESCRIPTION COMMENTS	TECHNICAL SPECIFICATION
1	1440401X1	1	ROLL PIN	6X12-STEEL-PL
2	1440921X1	1	FLAT WASHER	8,4-22 X 2 MM STEEL ZN
3	1611277M1	2	PIN	Ø 16 X 20 MM STEEL PL
4	195869M1	1	O-RING	Ø 10,82 X 1,78 MM
5	3010181X1	1	HEXAGONAL HEAD BOLT	M8X16-ISO 10.9-PH
6	3010532X1	7	SCREW 12 POINTS FLANGE HEAD	M12 X 40-ISO 10.9-PH
8	3010576X1	1	HEXAGONAL HEAD BOLT	M8X40-ISO 10.9-PH
9	3011191X91	1	BEARING ASSY	60-130 X 33,5 MM STEEL PL
10	3011741X91	1	BEARING ASSY	75X160X58
22	3716422M1	1	WASHER	74-60 X 3 MM
25	3794541M1	1	SPECIAL NUT	M60
28	4301910M3	1	TUBE	
29	4302020M93	1	KIT, BEVEL GEAR	14/41
31	4302099M1	1	TUBE	
33	4303298M2	1	BEARING CARRIER	
34	4304690M91	1	PLUG	
43	4310973M91	1	TUBE	
	CH3K-0360	1	O-RING	16.36MM ID X 2.21MM
52	531191D1	1	SHIM KIT	
53	531192D1	1	SHIM KIT	
54	762191M1	3	O-RING	7.65X1.78-DIDC 70

561618D1 - DIFFERENTIAL ASSEMBLY, REAR, HIGH CAPACITY

561618D1-2-Z654-1



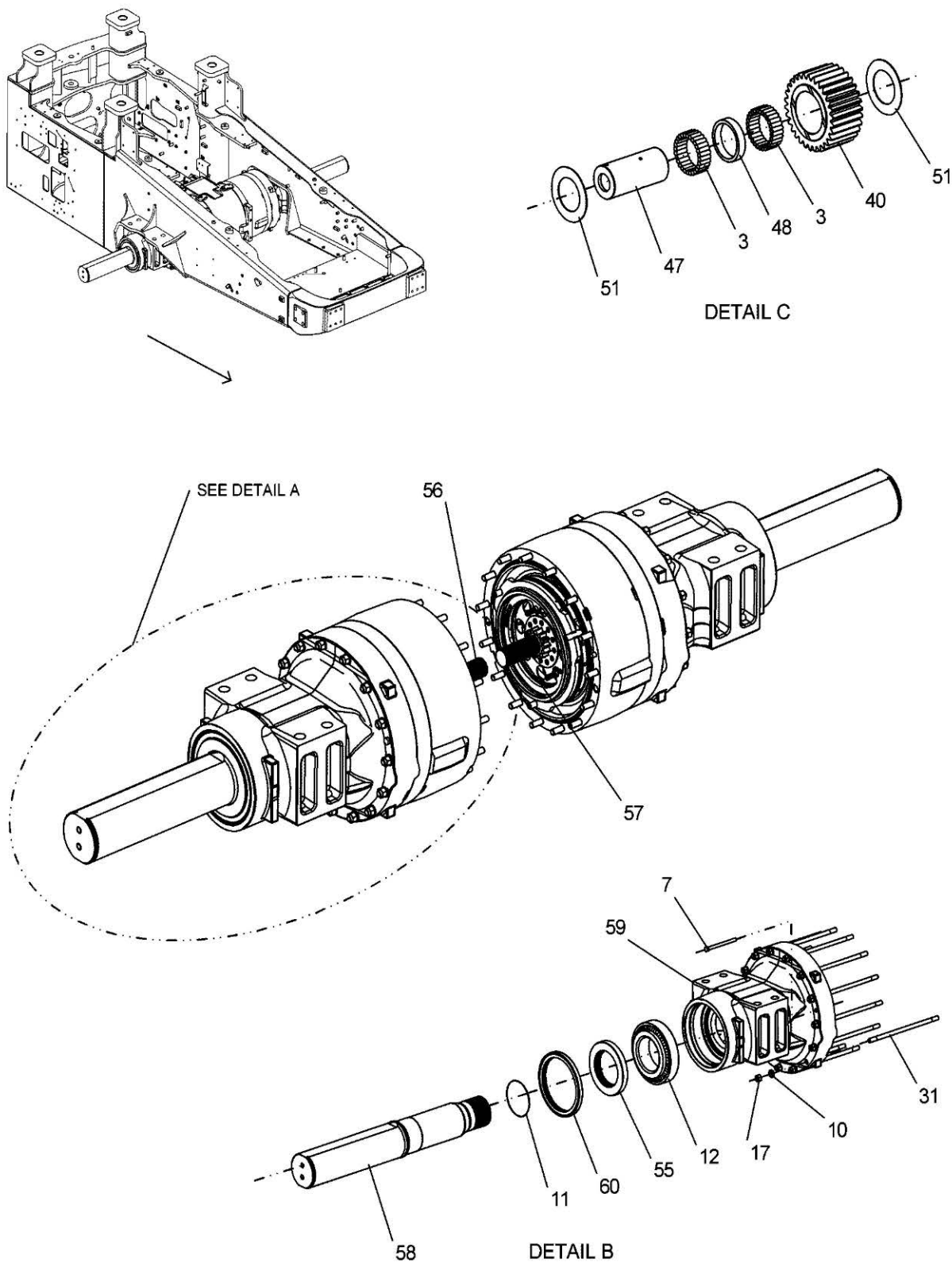
561618D1 - DIFFERENTIAL ASSEMBLY, REAR, HIGH CAPACITY

ITEM	PART NUMBER	QTY	DESCRIPTION COMMENTS	TECHNICAL SPECIFICATION
7	3010538X91	1	BEARING	95X145X32-STEEL-PL
11	3012025X1	18	HEXAGONAL HEAD BOLT	M16 X 40 CL10.9 PH
12	3012026X1	8	HEXAGONAL HEAD BOLT	M12 X 110 X 107 X 20-ISO 10.9
13	3014363X1	100	BEARING NEEDLE	4MM X 31.8MM, STEEL, PL
14	3019852X1	12	HEXAGONAL HEAD BOLT	M12 X 55 CL10.9 PH
15	3039248M1	1	BEARING CONE	107.950X21.438-STEEL-ZN
16	3039249M1	1	BEARING CUP	158.750X15.875-STEEL-ZN
17	359008X1	1	O-RING	Ø 209,14 X 3,53 MM
18	359112X1	1	O-RING	126.59X3.53-DIDC 70-PL
19	3616741M1	8	CLUTCH DISC	
20	3616742M1	7	COUNTERPLATE	
21	3716335M1	2	O-RING	Ø 246,00 X 5,33 MM
23	3716580M3	2	SEGMENT	
24	3792454M1	2	WASHER	78-108 X 4 MM
26	391464X1	2	SLOTTED PIN	Ø 6 X 55 MM PL
28	4301841M3	1	SUPPORT	
30	4302070M3	1	BUSH	
32	4302105M3	1	BUSH	
35	4306148M1	1	SEGMENT	
36	4307407M3	1	CLEVIS PIN	
37	4307413M1	4	SPACER	
38	4309049M1	1	PLANET	
39	4309050M1	1	PINION	
40	4310170M1	1	PISTON	
41	4310239M91	1	SUPPORT	
42	4310241M1	1	SLEEVE TOOTH	
44	4312820M91	1	DIFFERENTIAL HOUSING	
45	4312821M1	2	PIN	10X35
46	4312861M1	4	WASHER	
47	598262D1	4	PINION GEAR	DIFF PLANETARY
48	4312863M1	1	CASING	
49	4314078M1	2	SPIDER	
50	530814D1	1	SHIM KIT SEE PAGE 05-0013	PACK-BZ
51	530815D1	1	KIT, SHIMS SEE PAGE 05-0014	PACK-AM

561618D1 - DIFFERENTIAL ASSEMBLY, REAR, HIGH CAPACITY

ITEM	PART NUMBER	QTY	DESCRIPTION COMMENTS	TECHNICAL SPECIFICATION
1	1440401X1	1	ROLL PIN	6X12-STEEL-PL
2	1440921X1	1	FLAT WASHER	8,4-22 X 2 MM STEEL ZN
3	1611277M1	2	PIN	Ø 16 X 20 MM STEEL PL
4	195869M1	1	O-RING	Ø 10,82 X 1,78 MM
5	3010181X1	1	HEXAGONAL HEAD BOLT	M8X16-ISO 10.9-PH
6	3010532X1	7	SCREW 12 POINTS FLANGE HEAD	M12 X 40-ISO 10.9-PH
8	3010576X1	1	HEXAGONAL HEAD BOLT	M8X40-ISO 10.9-PH
9	3011191X91	1	BEARING ASSY	60-130 X 33,5 MM STEEL PL
10	3011741X91	1	BEARING ASSY	75X160X58
22	3716422M1	1	WASHER	74-60 X 3 MM
25	3794541M1	1	SPECIAL NUT	M60
27	4301832M93	1	KIT, BEVEL GEAR	14/41
29	4301910M3	1	TUBE	
31	4302099M1	1	TUBE	
33	4303298M2	1	BEARING CARRIER	
34	4304690M91	1	PLUG	
	CH3K-0360	1	O-RING	16.36MM ID X 2.21MM
43	4310973M91	1	TUBE	
52	531191D1	1	SHIM KIT	
53	531192D1	1	SHIM KIT	
54	762191M1	3	O-RING	7.65X1.78-DIDC 70

520529D1-7-Z654-01

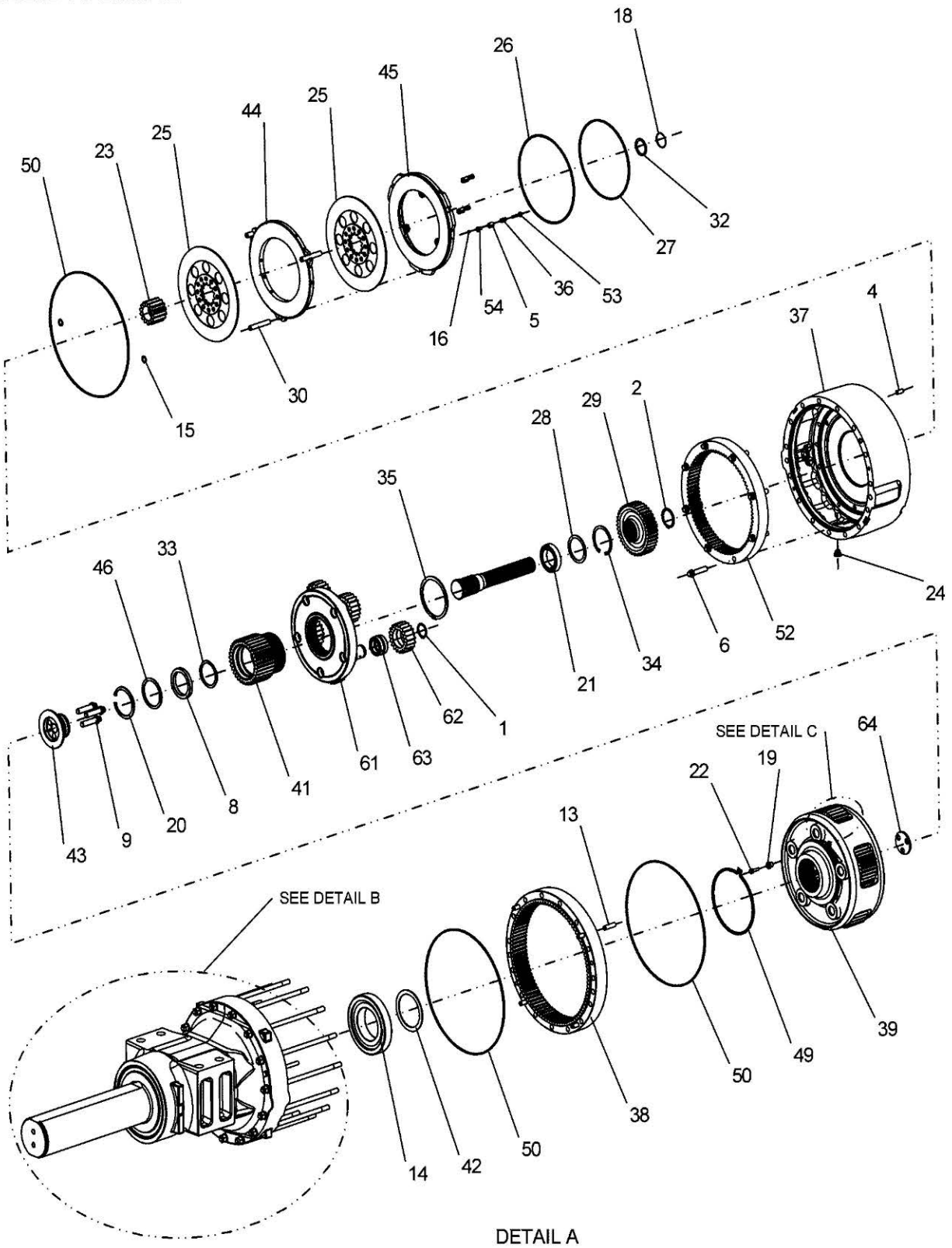


520529D1 - AXLE ASSEMBLY, FINAL DRIVE

ITEM	PART NUMBER	QTY	DESCRIPTION COMMENTS	TECHNICAL SPECIFICATION
3	1610191M1	560	BEARING NEEDLE	Ø 7,940 X 30,09 STEEL ZN
7	3010446X1	4	HEXAGONAL HEAD BOLT	M12X160-ISO 10.9-PH
10	3010875X1	30	FLAT WASHER	17,70-30 X 5 MM PH
11	3012028X1	2	O-RING	145.29X1.78-DIDC70-PL
12	3012072X91	2	BEARING ASSY	139.700X254.000X66.-STEEL-PL
	3012074X1	1	BEARING CUP	254.000X47.625-STEEL-PL
	3012073X1	1	BEARING CONE	139.700X66.675-STEEL-PL
17	3019871X1	30	HEX NUT	M16 (2.0) CL10 PH
31	3791824M1	30	STUD BOLT	
40	4301748M1	10	DIFF PINION	
47	4301813M2	10	CLEVIS PIN	
48	4301814M1	10	SPACER	
51	4301869M1	X	SHIM	1.50MM
55	4304319M1	2	BUSH	
56	4304359M1	1	LEFT HAND SHAFT LONG WITH SEAL	
57	4304360M1	1	RIGHT HAND SHAFT SHORT WITHOUT SEAL	
58	4304361M1	2	SHAFT	
59	4304367M4	2	AXLE HOUSING	
60	4304422M1	2	GASKET	
	532448D1	2	KIT, SHIMS NOT SHOWN FINAL DRIVE	

520529D1 - AXLE ASSEMBLY, FINAL DRIVE

520529D1-7-Z654-02

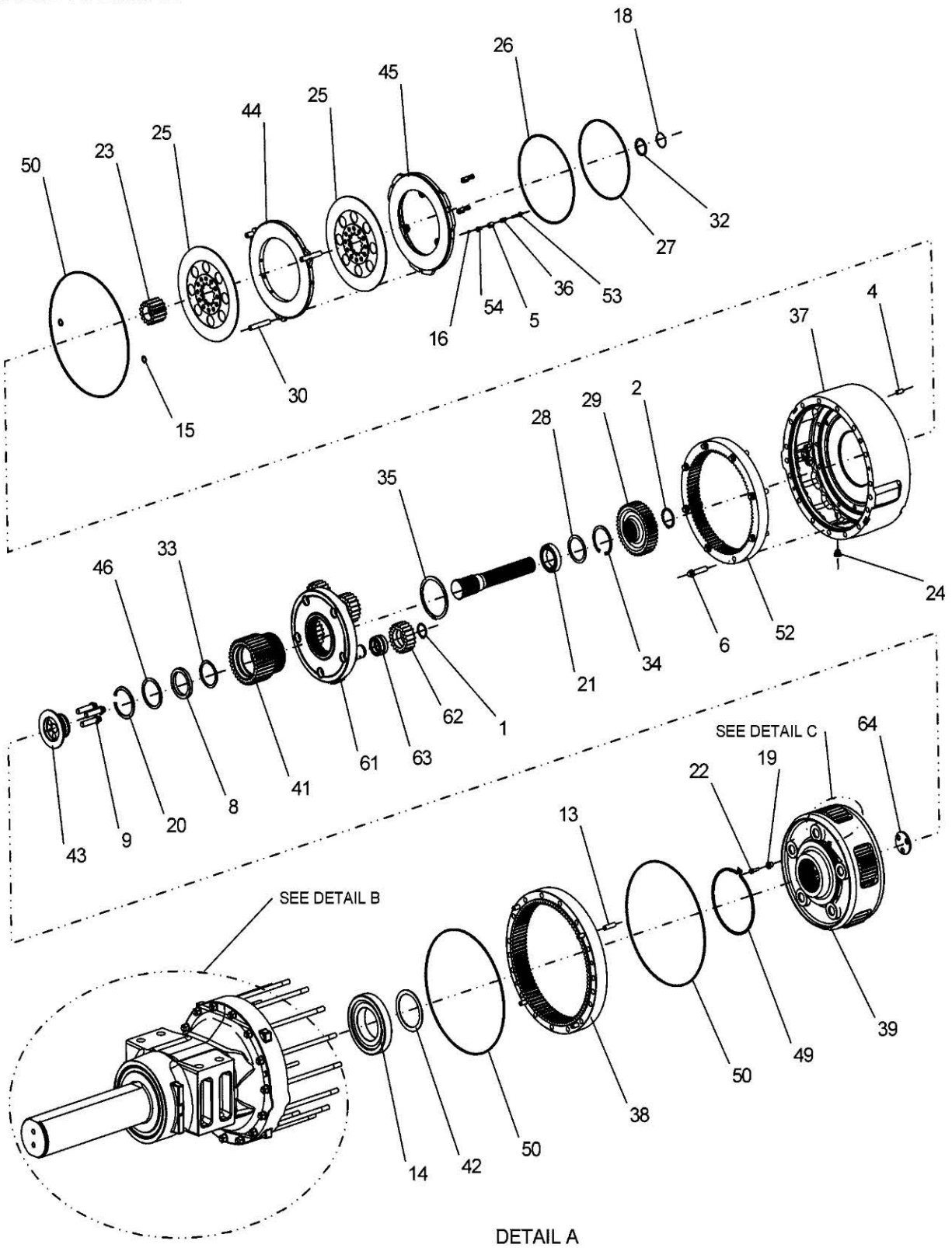


520529D1 - AXLE ASSEMBLY, FINAL DRIVE

ITEM	PART NUMBER	QTY	DESCRIPTION COMMENTS	TECHNICAL SPECIFICATION
1	1440478X1	10	EXTERNAL RETAINING RING	Ø 45 MM PH
2	1440532X1	2	EXTERNAL RETAINING RING	S.D.: 62MM-STEEL-PH
4	1612150M1	4	DOWEL	L = 29 MM
5	3000705X1	6	PIN	Ø 16 X 18 MM STEEL PL
6	3009930X1	16	SCREW 12 POINTS FLANGE HEAD	M16 X 70 CL10.9 PH
8	3010462X1	2	BEARING ASSY	Ø 85-110 X 13 MM PL
9	3010822X1	6	SCREW	M18X70-ISO 10.9-PH
13	3014065X1	10	PIN	14X55-100C6-PL
14	3014089X91	2	BEARING ASSY	126X215X43.50-STEEL-PL
	3014091X1	1	BEARING CUP	126X215X43.50-STEEL-PL
	3014090X1	1	BEARING CONE	126X215X43.50-STEEL-PL
15	3014170X1	12	O-RING	17.20X3.00-DIDC 70-PL
16	3014182X1	6	PLUG	M6 X 6 (0.75) CL12.9 PH
18	3019943X1	1	O-RING	Ø 2,62 X 47,29 MM
19	3046114M1	2	SPACER	
20	339517X1	2	STOP RING	Ø 110 MM PL
21	339673X1	2	BEARING	Ø 65-100X 18MM
22	70920415	2	HEXAGONAL HEAD BOLT	3/8"-16 X 1-1/4"
23	3582194M1	2	HUB	
24	3583994M91	2	DRAIN PLUG MAGNETIC	WITH O-RING 3019397X1
	3019397X1	1	O-RING	Ø 15,30 X 2,20 MM
25	3617649M91	4	BRAKE DISC	
26	3716252M1	2	O-RING	Ø 312,00 X 5,33 MM
27	3716253M1	2	O-RING	
28	3716416M1	2	WASHER	
29	3716487M4	2	PLANET	
30	3791640M1	6	CLEVIS PIN	
32	380005X1	2	EXTERNAL RETAINING RING	S.D.: 2.000" - PH
33	390143X1	2	STOP RING	Ø 85 MM STEEL PH
34	390613X1	2	INTERNAL RETAINING RING	Ø 100 MM PL
35	392782X1	2	EXTERNAL RETAINING RING	S.D.: 140MM - STEEL - PH
36	4300653M1	6	SPRING	
37	4301535M4	2	SPACER	
38	4301537M4	2	CROWNWHEEL	
39	4301747M2	2	CARRIER	
41	4301749M1	2	DIFF PINION	
42	4301791M1	2	WASHER	
43	4301792M2	2	BRIDLE	
44	4301808M1	2	DISC	
45	4301809M1	2	PISTON	
46	4301812M1	2	WASHER	
49	4301815M1	2	RING	
50	4301816M1	6	GASKET	
52	4301906M1	2	CROWNWHEEL	

520529D1 - AXLE ASSEMBLY, FINAL DRIVE

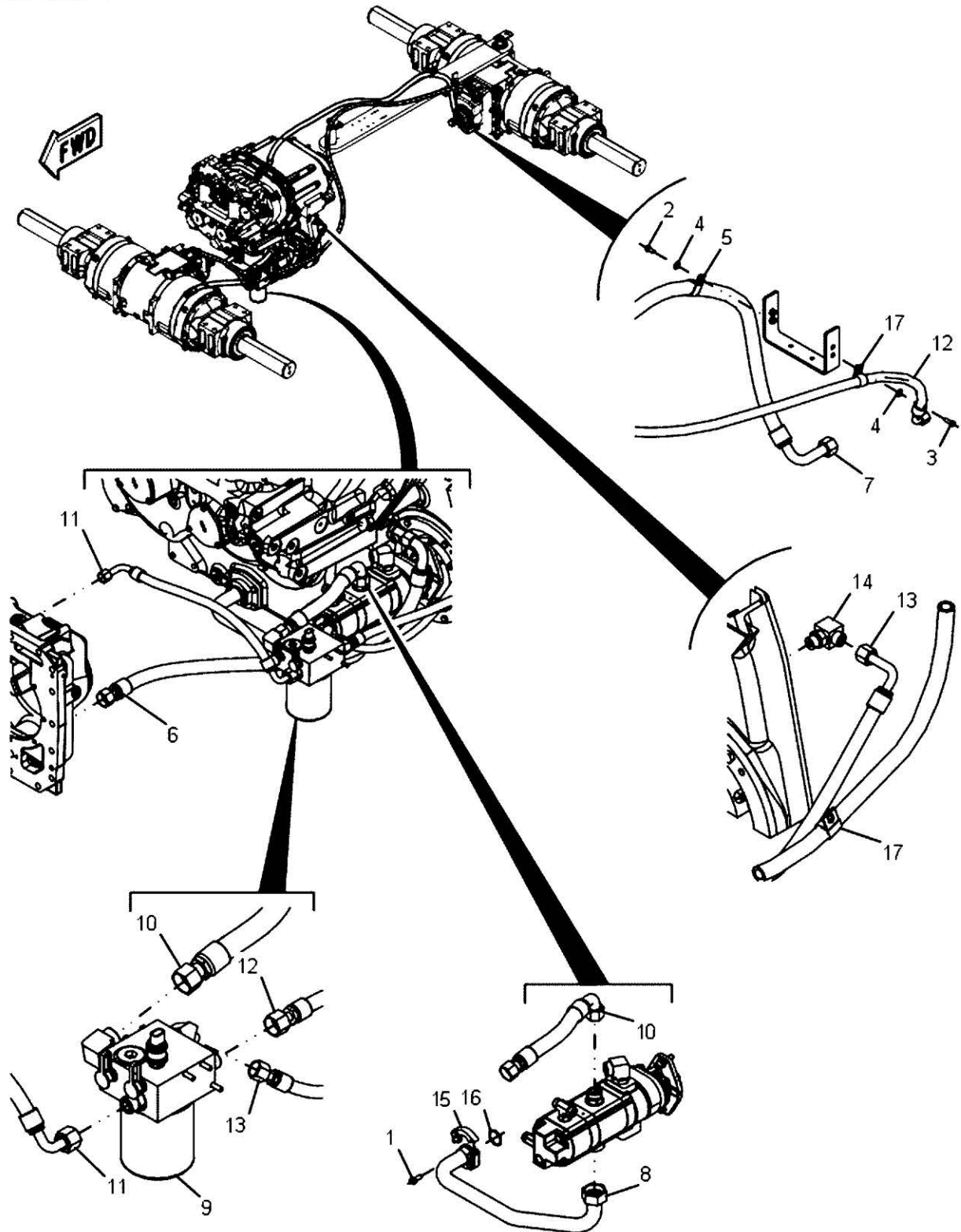
520529D1-7-Z654-02



520529D1 - AXLE ASSEMBLY, FINAL DRIVE

ITEM	PART NUMBER	QTY	DESCRIPTION COMMENTS	TECHNICAL SPECIFICATION
53	4303483M1	6	SCREW	M6 X 40 (0.75)
54	4303613M1	6	SPECIAL NUT	M6 (0.75)
61	4305233M3	2	CARRIER	
62	4305405M2	10	DIFF PINION	
63	4305406M2	10	BEARING ASSY	
64	532448D1	2	KIT, SHIMS	

564280D1-2-



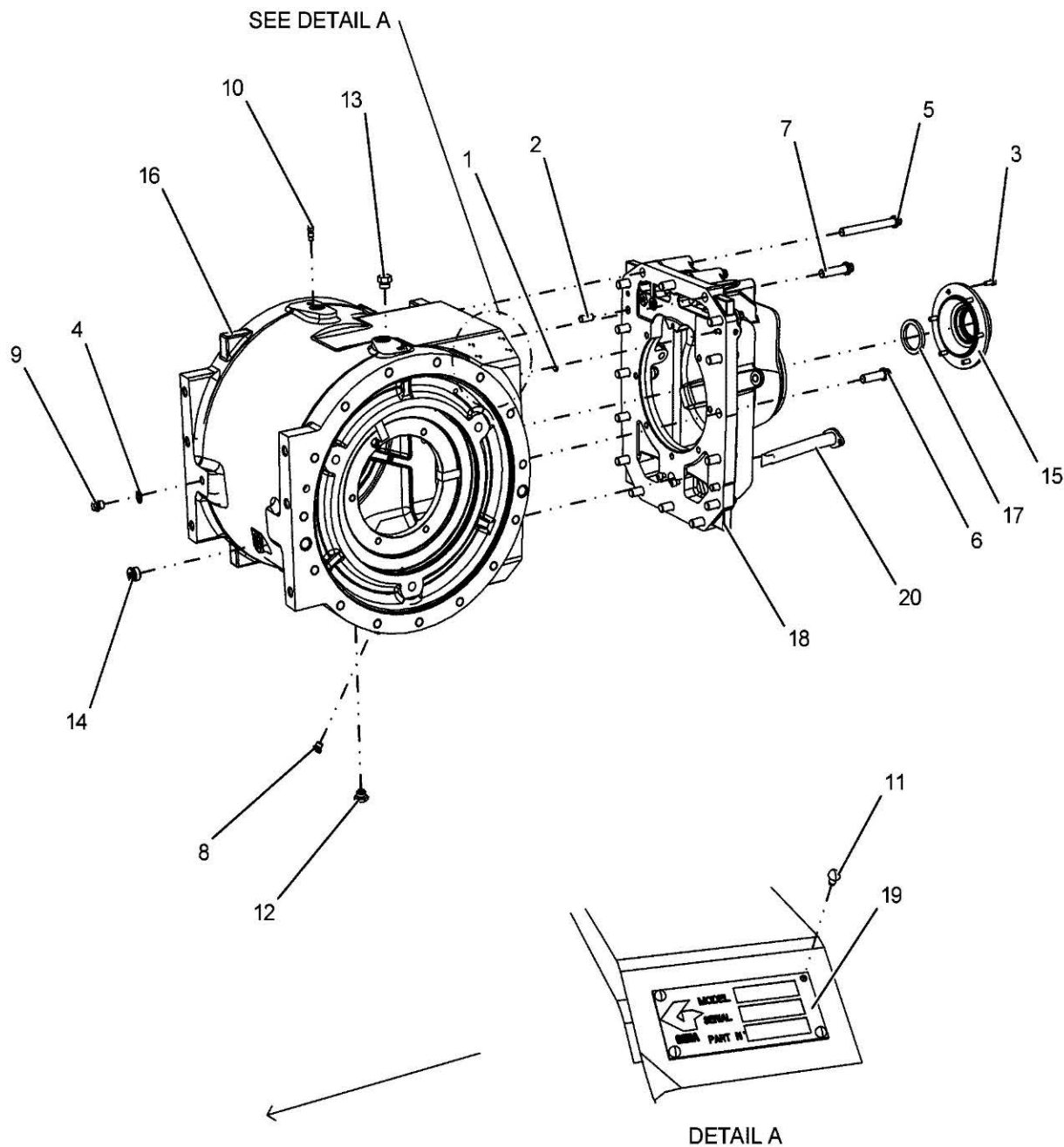
564280D1 - AXLE LUBE LINES GROUP

ITEM	PART NUMBER	QTY	DESCRIPTION COMMENTS	TECHNICAL SPECIFICATION
1	400039X1	4	HEXAGONAL HEAD BOLT	M10 X 1.5 X 25MM, CL10.9
2	400053X1	1	HEXAGONAL HEAD BOLT	M8 X 1.25 X 20MM, CL10.9
3	400341X1	1	HEXAGONAL HEAD BOLT	M8 X 1.25 X 25MM
4	400599X1	2	FLAT WASHER	M8 X 20.5MM OD X 2MM THK
5	400689X1	1	P-CLIP	38.1MM OD X 22MM
6	508972D1	1	HOSE	
7	508973D1	1	HOSE	
8	512352D1	1	TUBE	
9	NS	1	NON-SERVICEABLE PART SEE PAGE 02-0012	
10	564545D1	1	SUPPLY HOSE	25.4MM X 390MM
11	564546D1	1	LUBE HOSE	16MM X 638MM
12	564547D1	1	LUBE HOSE	16MM X 3599MM
13	565855D1	1	LUBE HOSE	12.7MM X 755MM
14	CH148-8364	1	ELBOW FITTING	3/4"-16 X 13/16"-16
	CH6V-8398	1	O-RING	16.03MM OD X 1.78MM
	CH3K-0360	1	O-RING	16.36MM ID X 2.21MM
15	CH1P-4578	2	FLANGE	
16	CH4J-0522	1	O-RING	37.69MM ID X 3.53MM
17	CH4S-1962	2	P-CLIP	25.4MM ID

564544D1 - AXLE LUBE FILTER ASSEMBLY

ITEM	PART NUMBER	QTY	DESCRIPTION COMMENTS	TECHNICAL SPECIFICATION
1	400318X1	1	O-RING	11.89MM ID X 1.98MM
2	400323X1	2	DUST CAP	12.6MM OD
3	400324X1	2	QUICK COUPLER NIPPLE	9/16"-18, -6 STOR
	400318X1	1	O-RING	11.89MM ID X 1.98MM
4	400580X1	1	ELBOW FITTING	16 STOR X 16 ORFS, 90D
	400376X1	1	O-RING	29.74MM ID X 2.95MM
	400123X1	1	O-RING	27.22MM OD X 1.78MM
5	401746X1	3	BOLT	
6	401887X1	1	ELBOW FITTING	1-1/16-12 MORB X 1-14 MORFS
	400322X1	1	O-RING	19.28MM OD X 1.78MM
	400416X1	1	O-RING	23.47MM ID X 2.95MM
7	517959D1	1	PRESSURE SWITCH	8 PSI
8	520114D1	1	FILTER BLOCK SEE PAGE 02-0019	
9	CH148-8327	2	ADAPTER FITTING	12 ORFS X 12 STOR, W/O-RINGS
	400366X1	1	O-RING	22.5MM OD X 1.78MM
	400416X1	1	O-RING	23.47MM ID X 2.95MM

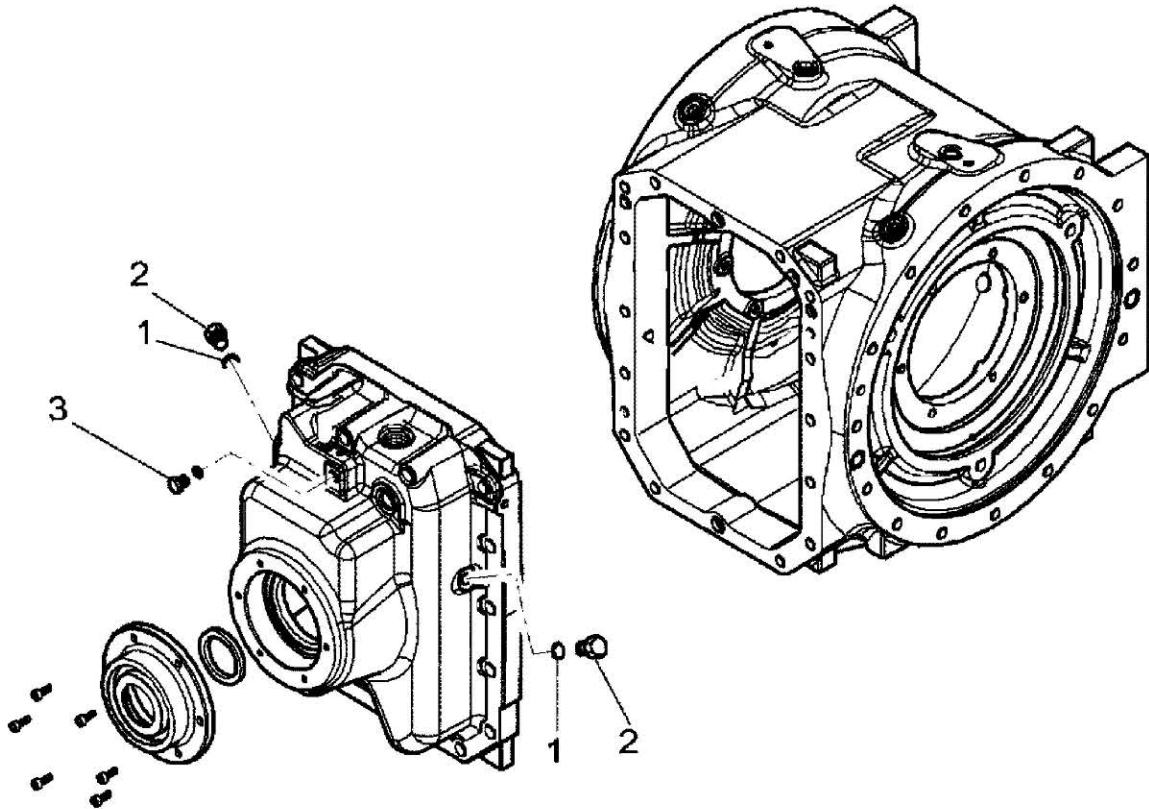
520532D1-5-Z654



520532D1 - HOUSING ASSEMBLY, DIFFERENTIAL

ITEM	PART NUMBER	QTY	DESCRIPTION COMMENTS	TECHNICAL SPECIFICATION
1	1000557M1	2	O-RING	Ø 12,37 X 2,62 MM
2	1612150M1	2	DOWEL	L = 29 MM
3	3010509X1	8	MACHINE SCREW	M8 X 20 (1.25) C10.9 PH
4	3010890X1	1	BUSHING	Ø 14,7-16,4 X 11,38 MM
5	3011200X1	2	SCREW 12 POINTS FLANGE HEAD	M16X150-ISO 10.9-PH
6	3011654X1	11	SCREW 12 POINTS FLANGE HEAD	M16X55-ISO 10.9-PH
7	3011691X1	3	SCREW 12 POINTS FLANGE HEAD	M16X65-ISO 10.9-PH
8	3012263X91	2	PLUG	M12X1.5-ISO 4.6-ZN
9	3019424X1	1	PLUG	M14X1.5-STEEL-ZN
10	3052960M1	2	BANJO BOLT	
11	353448X1	4	SCREW	No 4-7X0.19-STD-ZN
12	3583994M91	1	DRAIN PLUG MAGNETIC	WITH O-RING 3019397X1
	3019397X1	1	O-RING	Ø 15,30 X 2,20 MM
13	358724X91	1	PLUG	1/2-STD-ZN
14	400369X1	1	SOCKET HEAD PLUG	-10 STOR
	400319X1	1	O-RING	19.18MM ID X 2.46MM
15	4301533M2	1	FLANGE	
16	4301534M3	1	HOUSING CENTER	
17	4302117M1	1	OIL SEAL	
18	4303293M14	1	COVER CENTER	
19	NS	1	NON-SERVICEABLE PART	
20	4305916M91	1	TUBE	

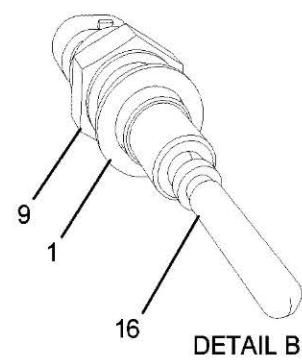
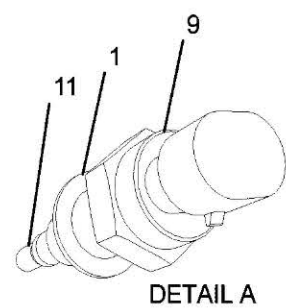
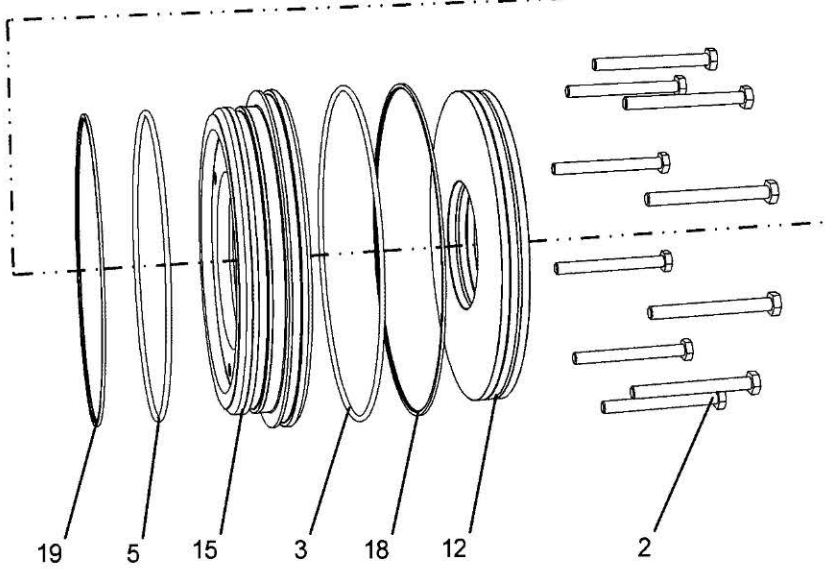
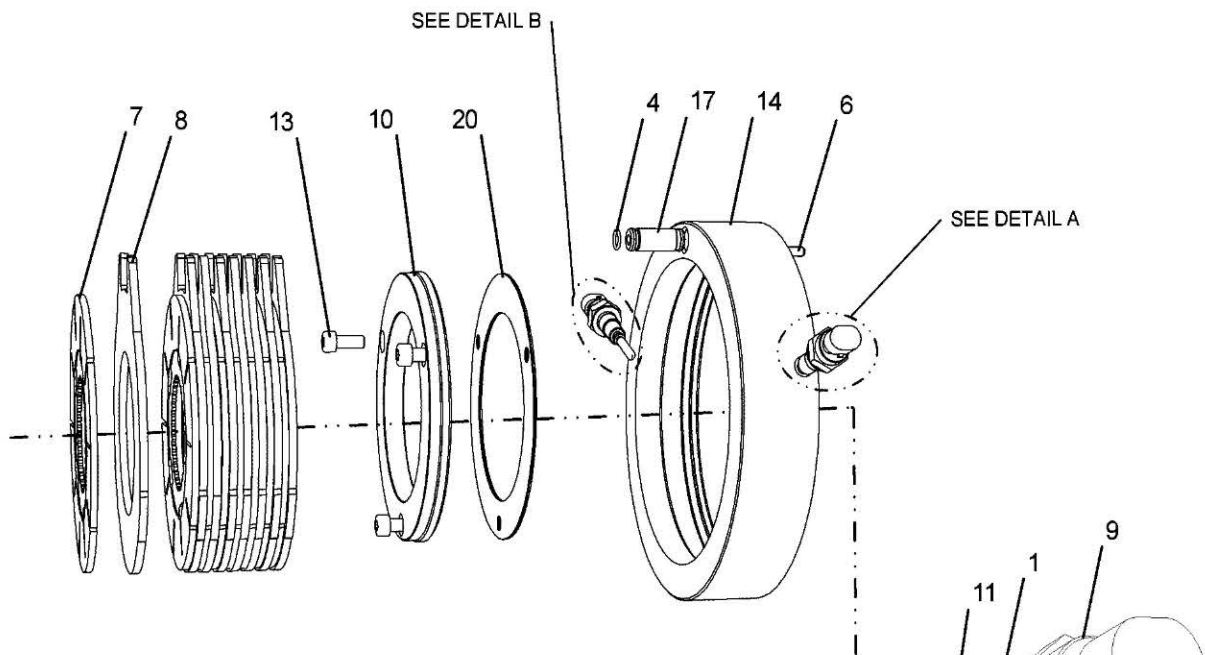
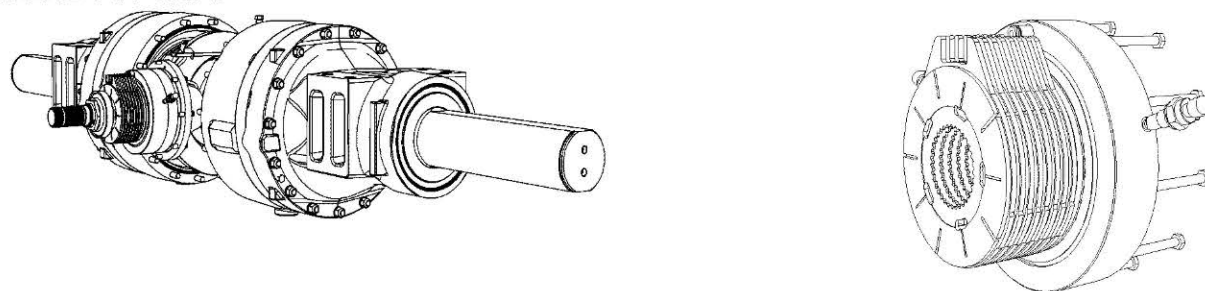
520533D1-02-V372



520533D1 - PARKING BRAKE ASSEMBLY

ITEM	PART NUMBER	QTY	DESCRIPTION COMMENTS	TECHNICAL SPECIFICATION
1	3010890X1	2	BUSHING	Ø 14,7-16,4 X 11,38 MM
2	3019424X1	2	PLUG	M14X1.5-STEEL-ZN
3	400612X1	1	HEX HEAD PLUG	-6 STOR
	400318X1	1	O-RING	11.89MM ID X 1.98MM

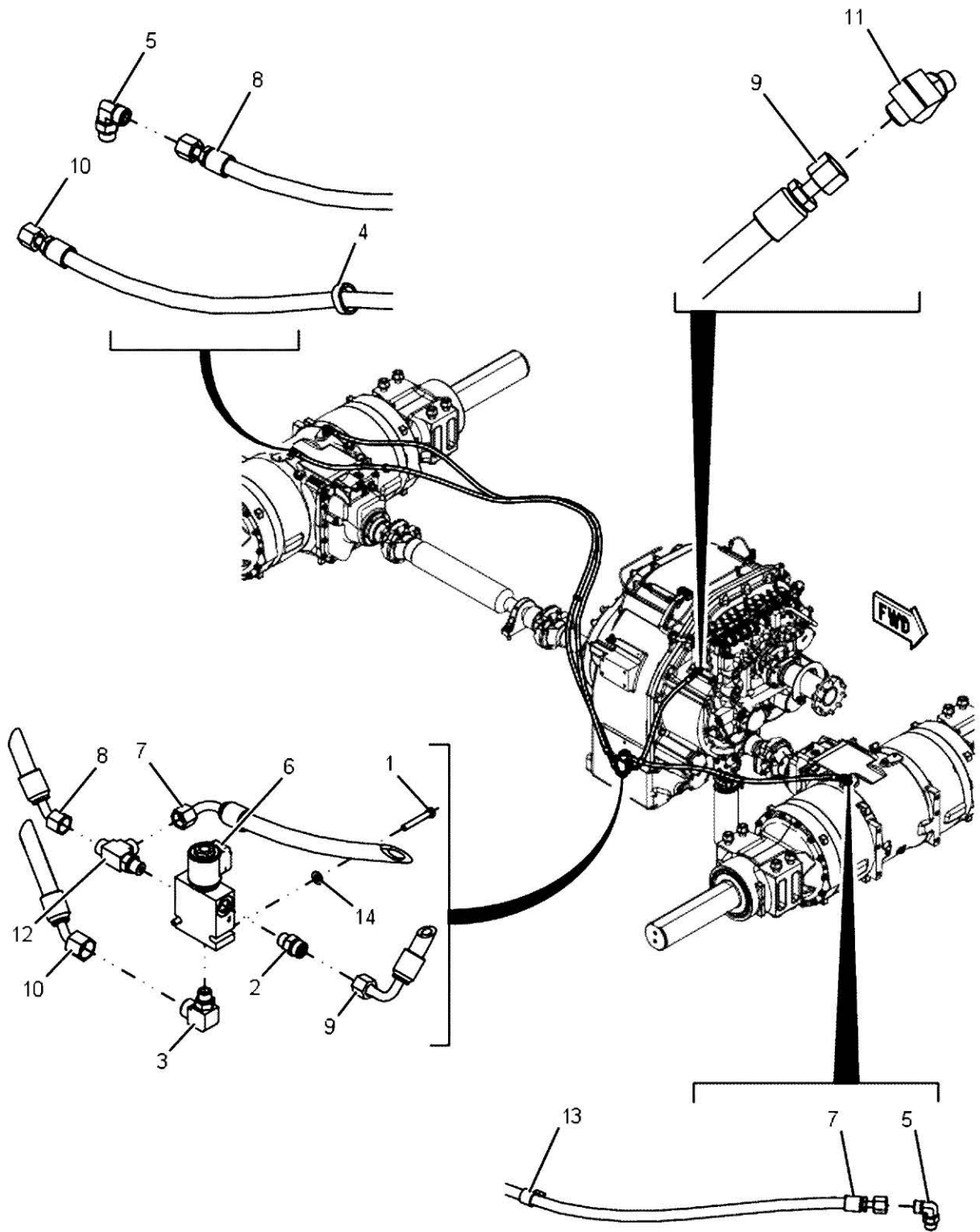
520534D1-04-W676



520534D1 - PARK BRAKE ASSEMBLY

ITEM	PART NUMBER	QTY	DESCRIPTION COMMENTS	TECHNICAL SPECIFICATION
1	3010890X1	2	BUSHING	Ø 14,7-16,4 X 11,38 MM
2	3011464X1	10	HEXAGONAL HEAD BOLT	M8 X 85-ISO 10.9-ZN
3	3011769X1	1	O-RING	196.44-RUBBER-PL
4	3011845X1	2	O-RING	10.82X1.78X90
5	3011949X1	1	O-RING	177.39X3.53-DIDC 90-PL
6	339080X1	1	ROLL PIN	Ø 6 X 24 MM PL
7	3795093M1	8	BRAKE DISC	
8	3795094M1	8	COUNTERPLATE	
9	3796579M1	2	SWITCH	
10	4302043M2	1	SPACER	
11	4302044M1	1	PLUNGER	
12	4302288M1	1	KIT, WASHER PARKING BRAKE	
13	4302671M1	3	SCREW	M8 X 20 CL10.9 PH
14	4303294M2	1	BODY	
15	4303296M2	1	PISTON	
16	4303297M1	1	PLUNGER	
17	4303328M1	1	TUBE	
18	4309258M1	1	RING	
19	4309259M1	1	RING	
20	532765D1	1	SHIM KIT PARK BRAKE	PARK BRAKE

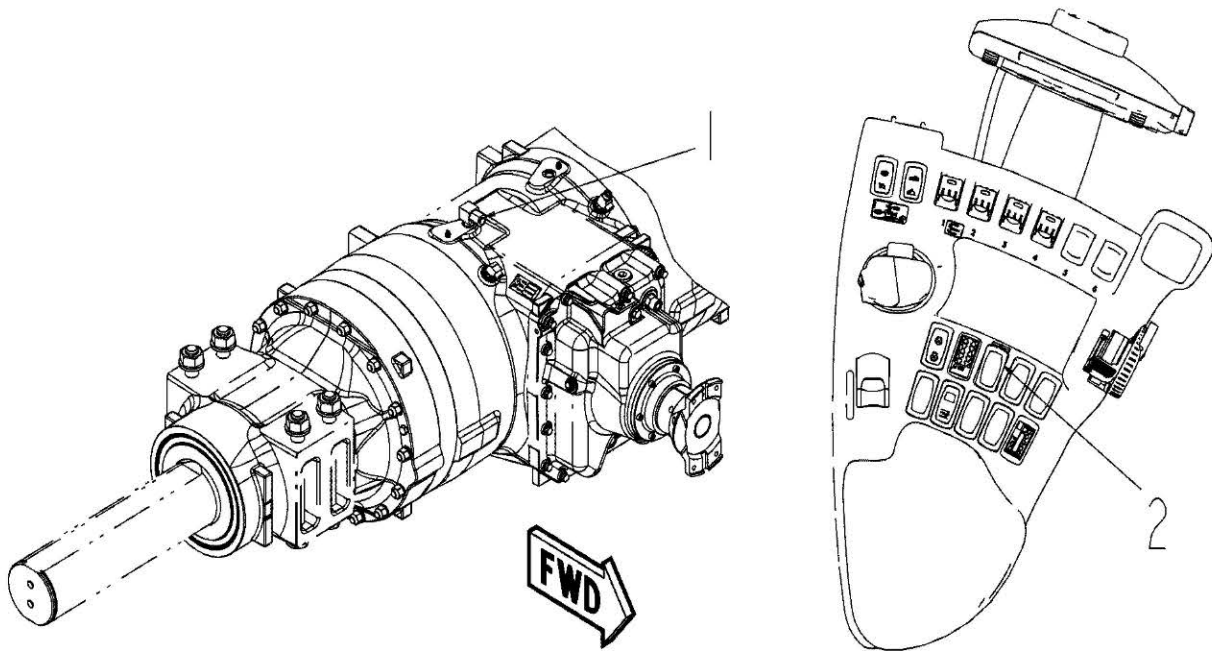
571118D1-4



571118D1 - HYDRAULIC GROUP - DIFFERENTIAL LOCK

ITEM	PART NUMBER	QTY	DESCRIPTION COMMENTS	TECHNICAL SPECIFICATION
1	400205X1	2	HEXAGONAL HEAD BOLT	M6 X 1 X 40MM, CL10.9
2	400367X1	1	CONNECTOR FITTING	-6 STOR X -6 ORFS
	400318X1	1	O-RING	11.89MM ID X 1.98MM
	400378X1	1	O-RING	12.83MM OD X 1.78MM
3	400417X1	1	ELBOW FITTING	9/16-18 MORB X 13/16-16 MORFS
	400318X1	1	O-RING	11.89MM ID X 1.98MM
	CH6V-8398	1	O-RING	16.03MM OD X 1.78MM
4	402295X1	2	CABLE TIE	390MM X 12.7MM
5	512716D1	2	ELBOW	-8 ORFS
	CH3K-0360	1	O-RING	16.36MM ID X 2.21MM
	CH6M-5062	1	O-RING SEAL	10.82 X 1.78
	CH6V-8398	1	O-RING	16.03MM OD X 1.78MM
6	547156D1	1	VALVE	3-WAY
7	566194D1	1	HOSE	9.52MM X 1306MM
8	566195D1	1	HOSE COUPLER	9.52MM X 3420MM
9	567231D1	1	SUPPLY HOSE	9.53MM X 615MM
10	572035D1	1	RETURN HOSE	9.52MM X 3511MM
11	CH148-8353	1	ELBOW FITTING	9/16"-18 X 11/16"-16, 45D
	400318X1	1	O-RING	11.89MM ID X 1.98MM
	400378X1	1	O-RING	12.83MM OD X 1.78MM
12	CH148-8435	1	TEE FITTING	2X 11/16-16 X 9/16"-18
	400318X1	1	O-RING	11.89MM ID X 1.98MM
	400378X1	1	O-RING	12.83MM OD X 1.78MM
	400318X1	1	O-RING	11.89MM ID X 1.98MM
13	CH1S-0994	1	CLIP	20.64MM ID
14	CH8T-4205	2	FLAT WASHER	7.2MM X 14.5MM X 2MM

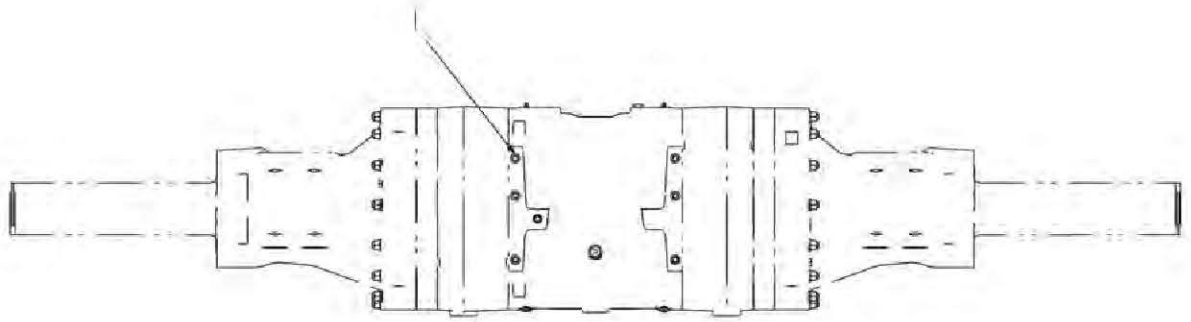
574126D1-2-AA756-



574126D1 - PLUG INSTALLATION WITHOUT DIFFERENTIAL LOCK - PLUG GROUP

ITEM	PART NUMBER	QTY	DESCRIPTION COMMENTS	TECHNICAL SPECIFICATION
1	400645X1	1	CAP	1/2" ORFS
2	NS	1	NON-SERVICEABLE PART SEE PAGE 10-0022	

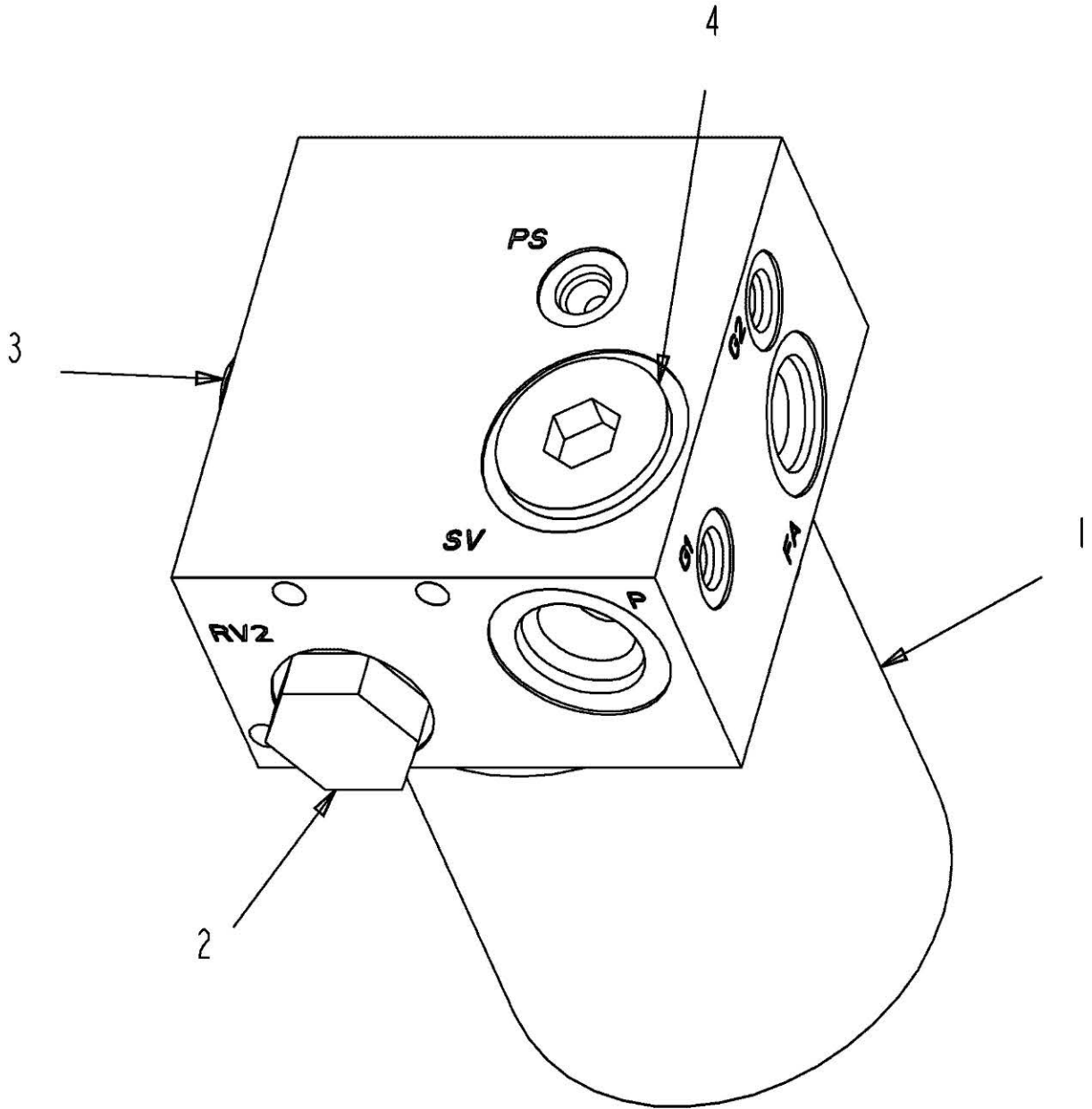
577236D1-1-



577236D1 - PLUG GROUP - SPECIAL APPLICATION

ITEM	PART NUMBER	QTY	DESCRIPTION COMMENTS	TECHNICAL SPECIFICATION
1	400093X1	6	PLASTIC PLUG	M14

520114D1-03-T563



520114D1 - BLOCK ASSEMBLY, AXLE LUBE

ITEM	PART NUMBER	QTY	DESCRIPTION COMMENTS	TECHNICAL SPECIFICATION
1	AG609431	1	OIL FILTER ELEMENT HYDRAULIC	
2	520003D1	1	RELIEF VALVE	
	528242D1	1	SEAL KIT	
3	525553D1	1	CAVITY PLUG	
	527530D1	1	SEAL KIT	
4	CH183-3902	1	PLUG	1 5/8"-12, 20 STOR
	CH183-2317	1	O-RING	